

---

# OWNER'S MANUAL

---

## MAST TYPE JIB CRANE 314 Series

½ Ton through 2 Ton Capacity

Product Code and Serial Number

### **⚠ WARNING**

This equipment should not be installed, operated or maintained by any person who has not read and understood all the contents of this manual. Failure to read and comply with the contents of this manual can result in serious bodily injury or death, and/or property damage.



# Table of Contents

<b>Section</b>	<b>Page Number</b>
1.0 Important Information and Warnings.....	3
1.1 Terms and Summary	
1.2 Warning Tags and Labels	
2.0 Technical Information.....	7
2.1 Specifications & Dimensions	
2.2 Crane Terms	
3.0 Pre-operational Procedures.....	10
3.1 Pre-Assembly	
3.2 Installation	
3.3 Mechanical Rotation Stops	
3.4 Tight Wire Assembly	
4.0 Operation.....	14
4.1 Introduction	
4.2 Shall's and Shall Not's for Operation	
4.3 Jib Boom Operation	
4.4 Trolley Operation	
4.5 Hoist Operation	
5.0 Inspection.....	17
6.0 Lubrication.....	18
7.0 Troubleshooting.....	19
8.0 Warranty.....	20
9.0 Parts Information.....	21

## 1.0 Important Information and Warnings

### 1.1 Terms and Summary

**This manual provides important information** for personnel involved with the installation, operation and maintenance of this product. Although you may be familiar with this or similar equipment, it is strongly recommended that you read this manual before installing, operating or maintaining the product.

**Danger, Warning, Caution and Notice** - Throughout this manual there are steps and procedures that can present hazardous situations. The following signal words are used to identify the degree or level of hazard seriousness.

**▲▲ DANGER** Danger indicates an imminently hazardous situation which, if not avoided, **will** result in **death or serious injury**, and property damage.

**▲▲ WARNING** Warning indicates an imminently hazardous situation which, if not avoided, **could** result in **death or serious injury**, and property damage.

**▲▲ CAUTION** Caution indicates a potentially hazardous situation which, if not avoided, **may** result **minor or moderate injury** or property damage.

**NOTICE** Notice is used to notify people of installation, operation, or maintenance information which is important but not directly hazard-related.

### ▲▲ CAUTION

These general instructions deal with the normal installation, operation, and maintenance situations encountered with the equipment described herein. The instructions should not be interpreted to anticipate every possible contingency or to anticipate the final system, crane, or configuration that uses this equipment. For systems using the equipment covered by this manual, the supplier and owner of the system are responsible for the system's compliance with all applicable industry standards, and with all applicable federal, state and local regulations/codes.

This manual includes instructions and parts information for a variety of crane types. Therefore, all instructions and parts information may not apply to any one type or size of a specific crane. Disregard those portions of the instructions that do not apply.

Record your crane's Model and Serial Number (see Crane Drawing and **Section 9**) on the front cover of this manual for identification and future reference to avoid referring to the wrong manual for information or instructions on installation, operation, inspection, maintenance, or parts.

Use only Harrington authorized replacement parts in the service and maintenance of this crane.

## **WARNING**

Equipment described herein is not designed for and **MUST NOT** be used for lifting, supporting, or transporting people, or for lifting or supporting loads over people.

Equipment described herein should not be used in conjunction with other equipment unless necessary and/or required safety devices applicable to the system, crane, or application are installed by the system designer, system manufacturer, crane manufacturer, installer, or user.

Modifications to upgrade, rerate, or otherwise alter this equipment shall be authorized only by the original equipment manufacturer.

Cranes, used to handle hot molten material may require additional equipment or devices. Refer to ASTM E2349 "Standard Practice for Safety Requirements in Metal Casting Operations: Sand Preparation, Molding, and Core Making; Melting and Pouring; and Cleaning and Finishing".

Only trained and competent personnel should inspect and repair this equipment. Only competent erection personnel familiar with standard fabrication practices should be employed to assemble Harrington's cranes because of necessity in interpreting these instructions. Harrington is not responsible for quality of workmanship performed during crane installation.

Consult with a qualified structural engineer to determine if your support structure is adequate to support the loads generated by anchor bolt force, overturning moment, or axial load of your crane.

Crane cannot be utilized as an electrical or welding ground: a separate ground wire is required.

Overloading and improper use can result in injury.

All welds must meet American Welding Society (AWS) specification D14.1 "Specification for Welding of Industrial and Mill Cranes and other Material Equipment."

Failure to read and comply with any one of the limitations noted herein can result in serious bodily injury or death, and/or property damage.

## NOTICE

It is the responsibility of the owner/user to install, inspect, test, maintain, and operate a crane in accordance with the applicable portions of OSHA Specification 1910.179 "Overhead and Gantry Cranes," ANSI B30.11, "Monorails and Underhung Cranes," and any other applicable standards.

It is the responsibility of the owner/user to have all personnel that will install, inspect, test, maintain, and operate a crane read the contents of this manual and applicable portions of OSHA Specification 1910.179 "Overhead and Gantry Cranes," ANSI B30.11, "Monorails and Underhung Cranes," and any other applicable standards.

If the crane owner/user requires additional information, or if any information in the manual is not clear, contact Harrington or the distributor of the crane. Do not install, inspect, test, maintain, or operate this crane unless this information is fully understood.

A regular schedule of inspection of the crane in accordance with the requirements of OSHA Specification 1910.179 "Overhead and Gantry Cranes," ANSI B30.11, "Monorails and Underhung Cranes," and any other applicable standards should be established and records maintained.

Dimensions and figures contained in this manual are for reference only and may differ for your particular application. Please refer to the Foundation Drawing and Jib Crane Drawing included with crane.

### 1.2 Warning Tags and Labels

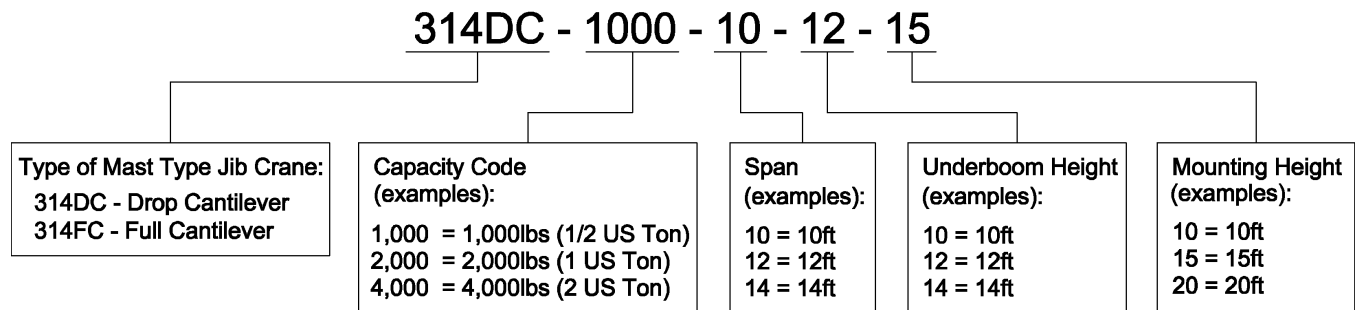
This crane may be part of a lifting system including a hoist and trolley. It is the responsibility of the owner of such a lifting system to ensure that the lifting system be equipped with warning labels in accordance with applicable industry standards.

**This Page Intentionally Left Blank**

## 2.0 Technical Information

### 2.1 Specifications & Dimensions

#### 2.1.1 Product Code



#### 2.1.2 Operating Conditions and Environment

Temperature range: -30°F to +150°F (-34°C to 66°C)

Relative Humidity: 85% or less

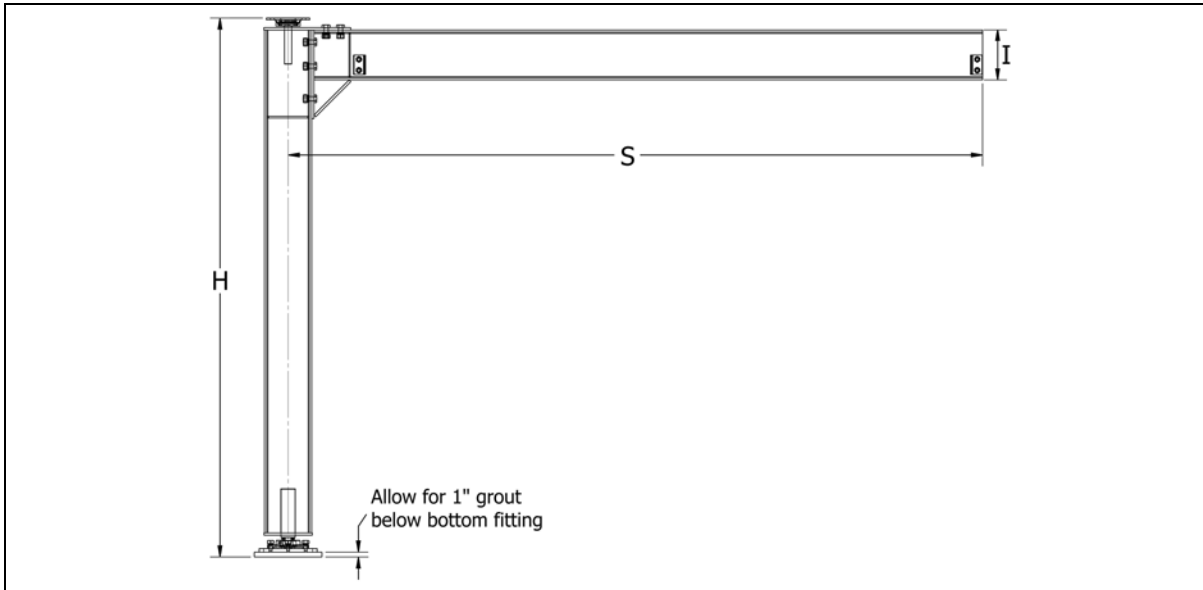


Table 2-1 Model 314FC\* Specifications & Dimensions\*\*

Capacity (Ton)	Product Code	Span S (Feet-Inches)	Beam Size I (Inches)	Mounting Height H (Feet-Inches)	Weight (Lbs.)
1/2	314FC-1000-10-10	10'-0"	S8 x18-4#	10'-0"	600
	314FC-1000-12-10	12'-0"	S8 x18-4#	10'-0"	710
	314FC-1000-14-10	14'-0"	S10 x25-4#	10'-0"	900
1	314FC-2000-10-10	10'-0"	S10 x25-4#	10'-0"	780
	314FC-2000-12-10	12'-0"	S10 x25-4#	10'-0"	835
	314FC-2000-14-10	14'-0"	S12 x31-8#	10'-0"	1070
2	314FC-4000-10-10	10'-0"	S12 x31-8#	10'-0"	1000
	314FC-4000-12-10	12'-0"	S15 x42-9#	10'-0"	1325
	314FC-4000-14-10	14'-0"	S15 x42-9#	10'-0"	1425

\*For Model 314FC (Full Cantilever) is shown, but dimensions apply to Model 314DC (Drop Cantilever) as well.

\*\*Other capacities, spans, mounting heights, etc. are available. Contact Customer Service.



## 2.2 Crane Terms

In order to better understand jib cranes, here are the commonly used terms that are used to specify and design jibs:

- **Anchor Bolts:** Large steel bolts used to mount a base mounted pillar jib crane to the Harrington recommended foundation.
- **Boom:** The horizontal beam on which the hoist trolley travels.
- **Fitting Centers:** The distance, centerline to centerline, between two support brackets (fittings) of a wall mounted jib crane.
- **Capacity:** The maximum live weight that the crane is designed to support.
- **End Stops:** Bolted to each end of the boom to prevent the trolley from falling off of the beam.
- **Foundation:** For free standing pillar base mounted jibs. Foundations are used to support the jib and prevent it from tipping over.
- **Gussets:** Reinforcing plates used to stiffen mast at the base plate.
- **Head:** Houses the roller, and lowers the crushing forces that are imposed on the mast.
- **Height Under the Boom (H.U.B.):** The distance from the finished floor to the underside of the crane boom. To find the underboom, take the height of the load, plus the distance the load is lifted, plus the headroom requirements of the hoist/trolley and any attachments. ( Extra room in addition to the minimum required H.U.B. may be helpful for crane operations.)
- **Mast:** The vertical member of the jib, which supports the crane. Pillar jibs have round pipes as masts.
- **Overall Height:** The highest point of the jib crane (including any hardware). A minimum clearance (usually 3") is required from any overhead obstruction.
- **Hoist:** The actual lifting mechanism (powered by electric, air, or manual movement) that hangs from the trolley that rides on the boom of a jib crane.
- **Trolley:** The mechanism that travels back and forth on the crane boom (powered by electric, air, or manual movement) which the hoist hangs from.
- **Overtipping Moment:** The force applied to the mounting structure of a self-supporting pillar jib. This force is caused by suspending a load from the boom, and is at maximum with full load at the end of the boom.
- **Rotation Stops:** Limits the rotation of a pillar base mounted jib crane boom (which are standard at 360°). Stops are field welded to the mast.
- **Span:** The span for a pillar base mounted jib crane is the distance from the center of the mast to the end of the boom. The span for a column mounted crane is measured from the face of the mounting surface to the end of the boom. The span for a mast type jib crane is measured from the center of the vertical mast to the end of the boom.
- **Thrust and Pull:** Thrust and Pull are forces applied to a wall/column mounted jib cranes support structure. Thrust is the pushing force exerted on the structure, and pull is the tensile, or pulling force. Thrust and Pull are equal to each other (but opposite in direction), and are given at maximum with full load at the end of the boom.
- **Clear Span:** The measurement between the end stops on a crane boom.
- **Hook Travel:** The distance that the hook on the hoist travels.

## 3.0 Preoperational Procedures

### 3.1 Pre-Assembly

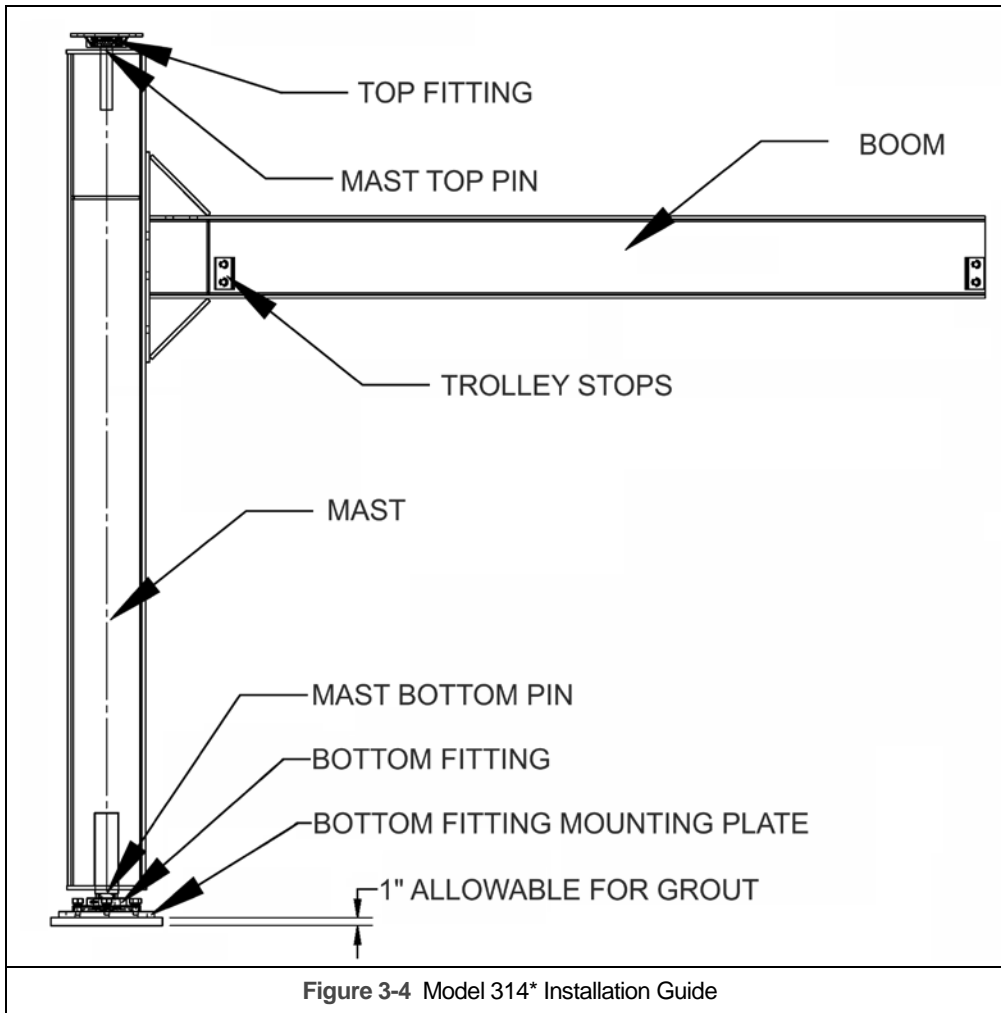
- 3.1.1 Check jib crane for physical damage due to shipping.
- 3.1.2 Ensure all capacity stickers and warning labels are clearly visible and properly affixed.
- 3.1.3 Check packing list to ensure no parts have been lost prior to initiating assembly of crane.
- 3.1.4 See Crane Drawing for bolt locations and dimensions. Crane dimensions allow for 1" of grout.
- 3.1.5 Read entire manual before installing the crane.

### 3.2 Installation

- 3.2.1 **▲WARNING** If multiple cranes were ordered, locate stamped serial number on each crane part for proper part matching during installation. Although crane parts may appear to be identical, each crane is assembled and built separately. All parts that do not have the same stamped serial number may not line up properly for installation.
- 3.2.2 **▲WARNING** Consult a qualified structural engineer to determine if the support structure, floor and/or foundation is adequate to support the forces generated in your application (see Crane drawing for thrust and pull forces).
- 3.2.3 Reference **Figure 3-1** and Crane Drawing included in the jib crane information packet. Crane dimensions allow for 1" of grout.
- 3.2.4 Determine the location of the TOP FITTING. Lightly tack weld or clamp the TOP FITTING securely into position.
  - NOTICE** TOP FITTING will be removed from this location for mast mounting so, **DO NOT** permanently fix the fitting to upper support.
- 3.2.5 Mark the mounting holes in the TOP FITTING mounting plate for future drilling.
- 3.2.6 Drop a plumb bob from the center of the TOP FITTING pivot hole to the center of the BOTTOM FITTING pivot hole.
- 3.2.7 **▲WARNING** Make sure that the pivot hole centers of the TOP and BOTTOM FITTINGS are properly aligned and plumb to ensure proper crane performance. Make adjustments to get the BOTTOM FITTING pivot hole plumb to TOP FITTING pivot hole.
- 3.2.8 After proper alignment is made, mark location of BOTTOM FITTING mounting bolts for future drilling/installation (mounting bolts by others).
  - NOTICE** BOTTOM FITTING will be removed from this location for mast mounting so, **DO NOT** permanently fix the fitting to ground.
- 3.2.9 Remove TOP FITTING from upper support and place on MAST TOP PIN. Tighten set screws to secure TOP FITTING on MAST TOP PIN
- 3.2.10 Place BOTTOM FITTING on MAST BOTTOM PIN and tighten set screws to secure BOTTOM FITTING on MAST BOTTOM PIN.
- 3.2.11 Lift entire MAST ASSEMBLY into position. Bolt TOP FITTING to upper support structure leaving some room for shimming if needed (mounting bolts by others).
- 3.2.12 Bolt BOTTOM FITTING assembly to floor (mounting bolts by others).
- 3.2.13 Grout BOTTOM FITTING MOUNTING PLATE as needed for mast adjustment (see Crane Drawing for proper grout allowance)
- 3.2.14 Make adjustments to TOP and/or BOTTOM FITTINGS so that the center pivot of the TOP FITTING is plumb to center pivot of BOTTOM FITTING.

**▲WARNING** If the mast is not properly plumbed, the crane will drift. Do not use a level to plumb mast.

- 3.2.15 After MAST is properly plumb and securely in position, mount BOOM with hardware included.
- 3.2.16 Under no load condition, adjust the BOOM so that the far end of the boom is span (in.)/300 above the horizontal. To adjust BOOM elevation, shim between the BOOM to MAST connection point as needed (shims by others).
- 3.2.17 Check all bolt connections including mounting bolts and tighten if necessary. See torque specs in Table 3-1 .
- 3.2.18 Rotate BOOM slowly and check around 360° degrees for drifting, binds, or slowdowns. Remove any interference and make adjustments as needed.
- 3.2.19 If applicable, install MECHANICAL ROTATION STOPS – See Section xx.
- 3.2.20 Bolt two inner TROLLEY STOPS to BOOM ASSEMBLY. Slide Hoist/Trolley onto BOOM ASSEMBLY, then bolt two remaining TROLLEY STOPS to BOOM ASSEMBLY. (For units with Tight Wire Kit, refer to Section 3.5).
- 3.2.21 The unit should be ready for operation. Please call Product Support with any questions during install.

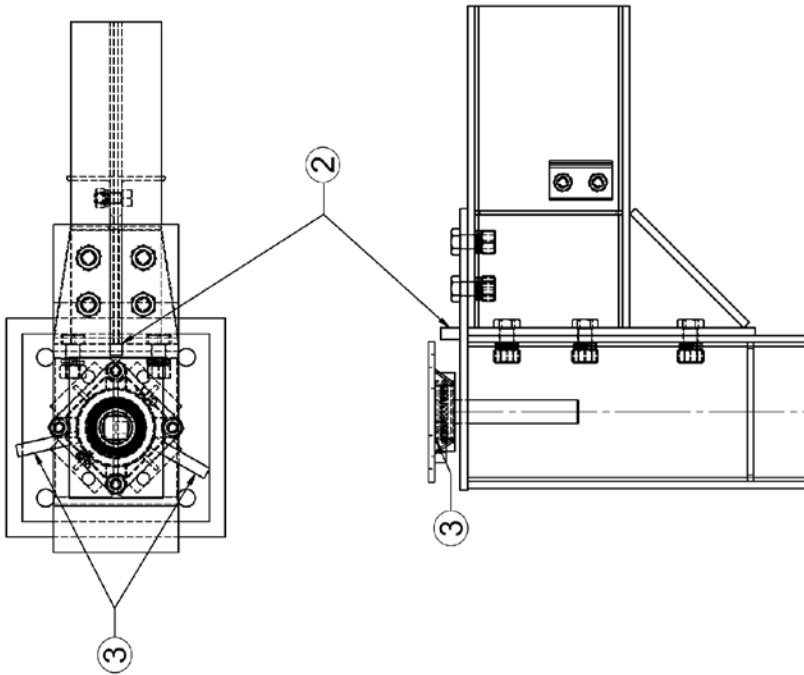


Bolt Dia.	Torque (ft.-lbs)
1/4"-20	6
3/8"-16	20
1/2"-13	50
5/8"-11	95
3/4"-10	175
7/8"-9	300

\*Model 314DC is shown, but installation instructions apply to 314FC as well.

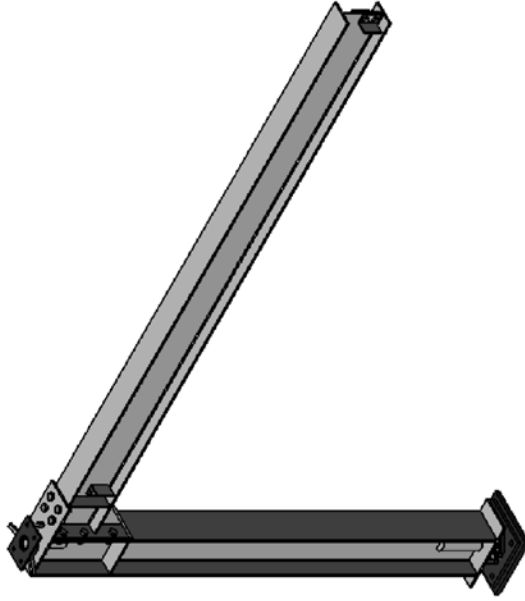
### 3.3 Mechanical Rotation Stops

62902



**NOTES:**

1. BEFORE ADDING ROTATION STOPS, MAKE SURE CRANE HAS BEEN CORRECTLY ERECTED AND IS PLUMB.
2. TACK WELD BAR "A" (2) TO TOP OF MAST PLATE ON CENTERLINE OF BOOM. (FOR DROP CANTILEVER CRANES, WELD BAR TO FRONT FLANGE OF MAST.) DISTANCE FROM MAST CENTERLINE WILL ALLOW FOR BAR TO ROTATE AROUND CRANE WITHOUT OBSTRUCTION.
3. TACK WELD BOTH BAR "B" (3) AT DESIRED LOCATIONS ON THE UNDER-SIDE OF THE TOP FITTING MOUNTING PLATE TO RESTRICT ROTATION.
4. CHECK CRANE FOR PROPER ROTATION.
5. WELD BARS FULLY INTO PLACE.



ITEM NO.	PART NUMBER	DESCRIPTION	QTY
1	62902	ROT. STOP KIT	1
2	TT900751	BAR A	1
3	TT900752	BAR B	2

PROPRIETARY & CONFIDENTIAL  
 THE INFORMATION CONTAINED  
 HEREIN IS THE PROPERTY OF TIGER TRACK  
 ANY REPRODUCTION OR USE  
 WITHOUT THE WRITTEN PERMISSION OF  
 TIGER TRACK IS PROHIBITED.

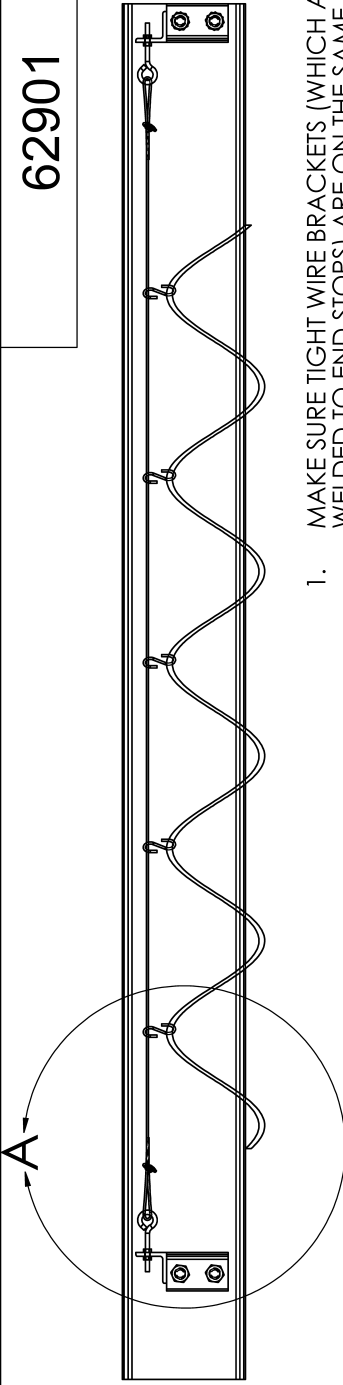
**TIGER TRACK**

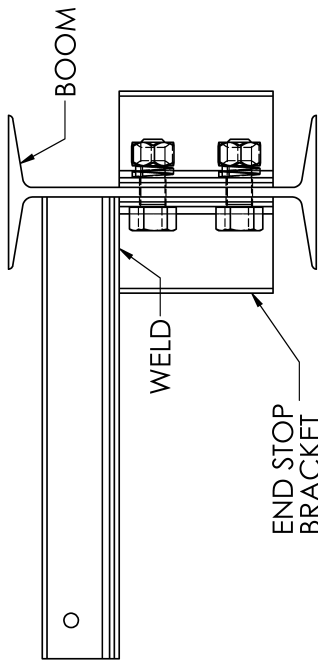
DESCRIPTION: MODEL 314 JIB CRANE ROTATION STOP KIT  
 PART NUMBER: 62902

DRAWN: D. Grujic      DATE: 8/28/13      DRAWING: B      SHEET: 1 OF 8  
 TOLERANCES: UNLESS OTHERWISE SPECIFIED, TOP FINISHES TO 0.005 IN. THOSE TO 0.003 IN. THOSE TO 0.002 IN. THOSE TO 0.001 IN. THOSE TO 0.0005 IN. THOSE TO 0.0001 IN. UNLESS OTHERWISE SPECIFIED.

### 3.4 Tight Wire Assembly

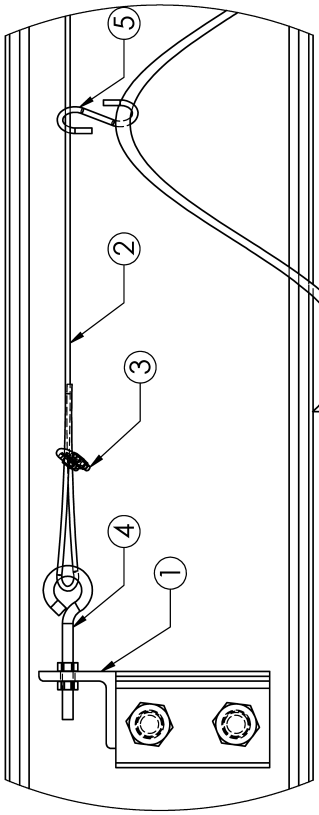
62901






BOOM  
WELD  
END STOP BRACKET

1. MAKE SURE TIGHT WIRE BRACKETS (WHICH ARE WELDED TO END STOPS) ARE ON THE SAME SIDE OF BOOM.
2. LOOP CABLE THROUGH EYE BOLT AT ONE END. TIGHTEN WITH CABLE CLAMP. PUT "S" HOOKS ON CABLE. LOOP CABLE THROUGH OTHER EYE BOLT. TIGHTEN WITH CABLE CLAMP.
3. SLIP EYE BOLT THROUGH TIGHT WIRE BRACKET AND TIGHTEN EYE BOLT UNTIL TIGHT WIRE IS TIGHT.
4. \*\*NOTE: FOR CRANES WITH 6" BEAM TIGHT WIRE BRACKET MAY HAVE DIFFERENT ORIENTATION DUE TO SPACE CONSTRAINTS.



DETAIL A  
SCALE 1 : 4

ITEM NO.	DESCRIPTION	QTY.
1	TIGHT WIRE ANGLES (WELDED TO ES)	2
2	1/8" DIA CABLE (LENGTH = CRANE SPAN)	1
3	CABLE CLAMPS	2
4	5/16" EYE BOLTS W/ NUTS	2
5	"S" HOOKS	#



**TIGER TRACK**

DESCRIPTION		TIGHT WIRE ASSEMBLY	
PART NUMBER	62901	MATERIAL	
DRAWN BY	D. Grujic	DATE DRAWN	05/02/07
		DRAWING SIZE	A
		SHEET NUMBER	1
		SCALE	1:10

**TOLERANCES:** DECIMALS (UNLESS OTHERWISE SPECIFIED) TWO PLACE (00) ±.015 THREE (000) ±.005 ANGLES ± 30 MINUTES ALL DIMENSIONS ARE IN INCHES UNLESS OTHERWISE SPECIFIED.

PROPRIETARY AND CONFIDENTIAL: THE INFORMATION CONTAINED IN THIS DRAWING IS THE SOLE PROPERTY OF TIGER TRACK ANY REPRODUCTION IN PART OR AS A WHOLE WITHOUT THE WRITTEN PERMISSION OF TIGER TRACK IS PROHIBITED.

## 4.0 Operation

### 4.1 Introduction

The suggestions below are not intended to take precedence over existing plant safety rules and regulations or OSHA regulations. It is the responsibility of the owner to make personnel aware of all federal, state and local rules and codes, and to make certain operators are properly trained.

#### **DANGER**

**DO NOT WALK UNDER A SUSPENDED LOAD**

#### **WARNING**

CRANE OPERATORS SHALL BE REQUIRED TO READ THE OPERATION SECTION OF THIS MANUAL, THE WARNINGS CONTAINED IN THIS MANUAL, INSTRUCTION AND WARNING LABELS ON THE HOIST OR LIFTING SYSTEM, APPLICABLE ANSI AND OSHA SAFETY STANDARDS, AND THE CRANE OPERATOR'S MANUAL PUBLISHED BY THE CRANE MANUFACTURER'S ASSOCIATION OF AMERICA (CMAA). THE OPERATOR SHALL ALSO BE REQUIRED TO BE FAMILIAR WITH THE CRANE AND CRANE CONTROLS BEFORE BEING AUTHORIZED TO OPERATE THE CRANE OR LIFTING SYSTEM.

CRANE OPERATORS SHOULD BE TRAINED IN PROPER RIGGING PROCEDURES FOR THE ATTACHMENT OF LOADS TO THE HOIST HOOK.

CRANE OPERATORS SHOULD BE TRAINED TO BE AWARE OF POTENTIAL MALFUNCTIONS OF THE EQUIPMENT THAT REQUIRE ADJUSTMENT OR REPAIR, AND TO BE INSTRUCTED TO STOP OPERATION IF SUCH MALFUNCTIONS OCCUR, AND TO IMMEDIATELY ADVISE THEIR SUPERVISOR SO CORRECTIVE ACTION CAN BE TAKEN.

CRANE OPERATORS SHOULD HAVE NORMAL DEPTH PERCEPTION, FIELD OF VISION, REACTION TIME, MANUAL DEXTERITY, HEARING, AND COORDINATION.

CRANE OPERATORS SHOULD **NOT** HAVE A HISTORY OF OR BE PRONE TO SEIZURES, LOSS OF PHYSICAL CONTROL, PHYSICAL DEFECTS, OR EMOTIONAL INSTABILITY THAT COULD RESULT IN ACTIONS OF THE OPERATOR BEING A HAZARD TO THE OPERATOR OR TO OTHERS.

CRANE OPERATORS SHOULD **NOT** OPERATE A CRANE OR LIFTING SYSTEM WHEN UNDER THE INFLUENCE OF ALCOHOL, DRUGS, OR MEDICATION.

#### **NOTICE**

- Read OSHA Specification 1910.179 "Overhead and Gantry Cranes," ANSI B30.11, "Monorails and Underhung Cranes," ASMEB30.16, and any other applicable standards.
- Read the hoist manufacturer's Operating and Maintenance Instructions.
- Read all labels attached to equipment.

## 4.2 Shall's and Shall Not's for Operation

### **WARNING**

Improper operation of a crane can create a potentially hazardous situation which, if not avoided, could result in death or serious injury, and substantial property damage. To avoid such a potentially hazardous situation **THE OPERATOR SHALL:**

- **NOT** operate a damaged, malfunctioning or unusually performing crane.
- **NOT** operate a crane until you have thoroughly read and understood Manufacturer's Operating and Maintenance Instructions or Manuals.
- Be familiar with operating controls, procedures, and warnings.
- **NOT** operate a crane that has been modified without the manufacturer's approval.
- **NOT** lift more than rated load for the crane/hoist/trolley.
- **NOT** use the crane to lift, support, or transport people.
- **NOT** lift loads over people.
- **NOT** operate a crane unless all persons are and remain clear of the supported load.
- **NOT** operate unless load is centered under hoist.
- **NOT** leave load supported by the crane/hoist unattended unless specific precautions have been taken.
- **NOT** allow the crane to be used as an electrical or welding ground.
- **NOT** remove or obscure the warnings on the crane.
- **NOT** operate a crane on which the safety placards or decals are missing or illegible.
- **NOT** operate a crane that has any changes in rolling effort or unusual noises.
- Warn personnel before lifting or moving a load.
- Warn personnel of an approaching load.
- Ensure that end stops are in place.
- Ensure that all bolts are tight and have lockwashers.
- **NOT** put hands near rotating parts.

### **CAUTION**

Improper operation of a crane can create a potentially hazardous situation which, if not avoided, could result in minor or moderate injury, or property damage. To avoid such a potentially hazardous situation **THE OPERATOR SHALL:**

- Maintain a firm footing or be otherwise secured when operating the crane.
- Make sure the load is free to move and will clear all obstructions.
- Avoid swinging the load or hook.
- Inspect the crane regularly, replace damaged or worn parts, and keep appropriate records of maintenance.
- Use the crane manufacturer's recommended parts when repairing the unit.
- Lubricate the top and bottom jib fittings per crane manufacturer's recommendations.
- **NOT** allow your attention to be diverted from operating the crane.
- **NOT** allow the crane to be subjected to sharp contact with other cranes, structures, or objects through misuse.
- **NOT** adjust or repair the crane unless qualified to perform such adjustments or repairs.
- Ensure that festooning cannot be snagged or pinched.

### **4.3 Jib Boom Operation**

- 4.3.1 Verify the hook is high enough to clear any obstruction before using the boom of the jib crane.
- 4.3.2 Ensure the jib boom is directly over the load before lifting the load.
- 4.3.3 Start moving the jib boom slowly and bring it up to speed gradually.
- 4.3.4 Reduce the speed of the boom as it approaches the place where it should stop.

### **4.4 Trolley Operation**

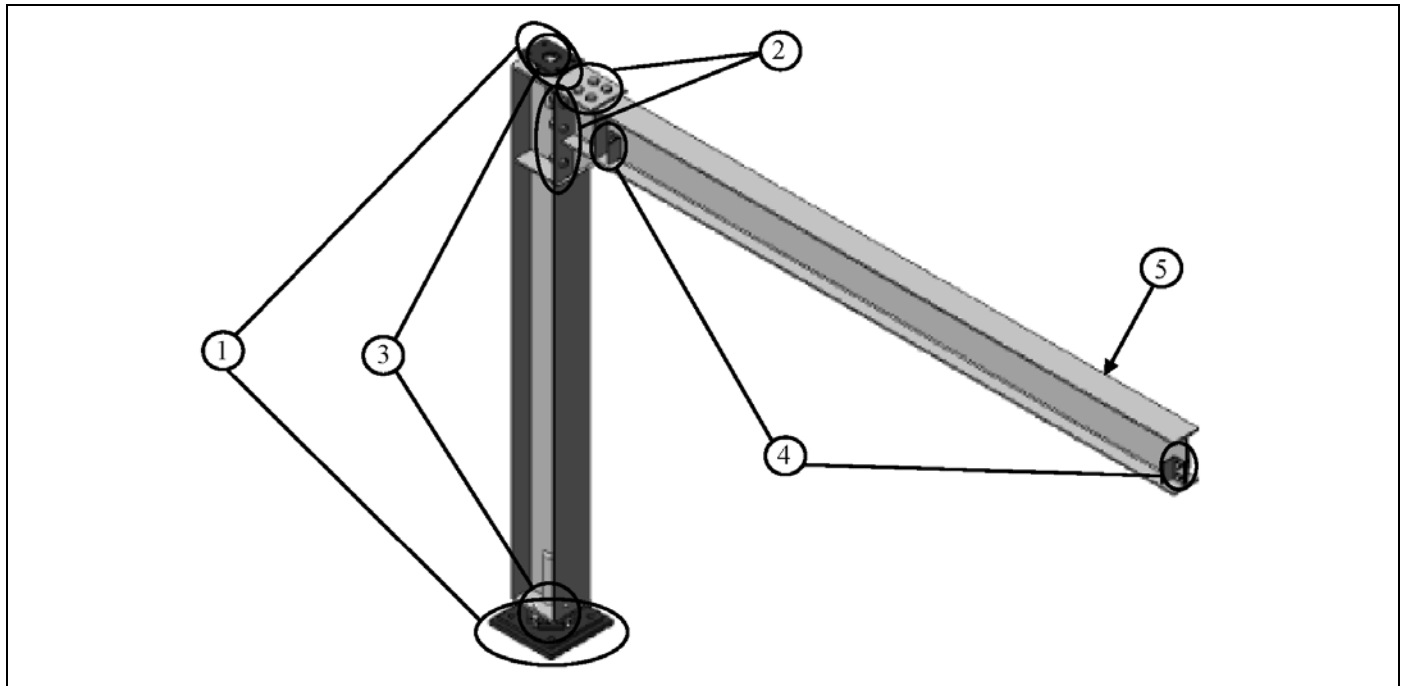
Refer to the trolley's operating instructions.

### **4.5 Hoist Operation**

Refer to the hoist's operating instructions.



## 5.0 Inspection



**Table 5-3 Crane Inspection**

Figure No.	Item	Inspection	Frequency
1	Anchor Bolts	Check that the lock-washers are fully compressed and the nuts are tightened to manufacturer's specifications.	Every 500 hours Or 3 months
2	Boom Hardware	Check that the lock-washers are fully compressed and the nuts are tightened to the proper torque specs from <b>Table 3-1</b> .	Every 500 hours Or 3 month
3	Bearings	Refer to lubrication schedule and grease bearings accordingly.	Every 200 hours Or 1 month
4	End Stop/ Tight Wire Kit	Check that the lock-washers are fully compressed and the nuts are tightened to the proper torque specs from <b>Table 3-1</b> .	Every 500 hours Or 3 month
5	Leveling Boom	Verify that the end of the boom is at the point of span (in.)/300 above level.	Every 1000 hours Or 6 months
-	Additional Items	Conduct a general inspection of all additional items you may have purchased.	Every 1000 hours Or 6 months
-	General	Conduct a visual inspection of the overall crane and check any operator reports. If any flaws or problems are found, the crane should be taken out of service and reported to manufacturer immediately.	Every 1000 hours Or 6 months

### **▲ WARNING**

Any changes in rolling effort or unusual noises must be immediately identified and corrected/

## 6.0 Lubrication

- 6.1 The most economical way to maintain a jib crane and keep it in good operating condition is to lubricate all moving parts regularly.
- 6.2 Regular inspection of all parts should be made and all loose parts should be adjusted. Parts that become worn should be replaced immediately.
- 6.3 The lubrication interval varies with the use of the machine. A crane operating 24 hours a day, 7 days a week, should demand lubrication once a week. Whereas a standard duty crane, operating eight hours a day on a five day week should be lubricated once every two to three weeks. Cranes under a standby classification, being used once or twice a month, should be lubricated at least once every six months.
- 6.4 The actual interval from one lubrication to the next depends entirely upon the type and length of operation to which the crane is subjected. These factors are variable and sometimes cannot be definitely determined. In this case, the crane operator or maintenance engineer would determine when the crane should be lubricated.
- 6.5 The roller bearings on the jib crane require lubrication. They are serviced by pressure type fittings.
- 6.6 The recommended lubricants for these bearings are:
  - Texaco Marfax No. 0 for below 32 degrees F
  - Texaco Marfax No. 1 for above 32 degrees F
- 6.7 If Texaco products are not available, equivalent lubricants are satisfactory.

## 7.0 Troubleshooting

<b>Symptom</b>	<b>Possible Cause</b>	<b>Remedy</b>
Boom is drifting	Fittings are not plumb	Shim between supporting structure and fittings accordingly
	Fittings are misaligned	Align fitting holes properly
Does not rotate smoothly	Debris in bearings	Remove debris
	Fittings are misaligned	Align fitting holes properly
Does not rotate a complete rotation	Crane boom has an obstruction	Remove any obstruction

## 8.0 Warranty

All products sold by Harrington Hoists, Inc. are warranted to be free from defects in material and workmanship from date of shipment by Harrington for the following periods:

- 1 year – Electric and Air Powered Hoists (excluding (N)ER2 Enhanced Features Models), Powered Trolleys, Powered Tiger Track Jibs and Gantries, Crane Components, Below the Hook Devices, Spare / Replacement Parts**
- 2 years – Manual Hoists & Trolleys, Beam Clamps**
- 3 years – (N)ER2 Enhanced Features Model Hoists**
- 5 years – Manual Tiger Track Jibs and Gantries, TNER Pull - Rotor Motor Brake**
- 10 years – (N)ER2 “The Guardian” Smart Brake**

The product must be used in accordance with manufacturer’s recommendations and must not have been subject to abuse, lack of maintenance, misuse, negligence, or unauthorized repairs or alterations.

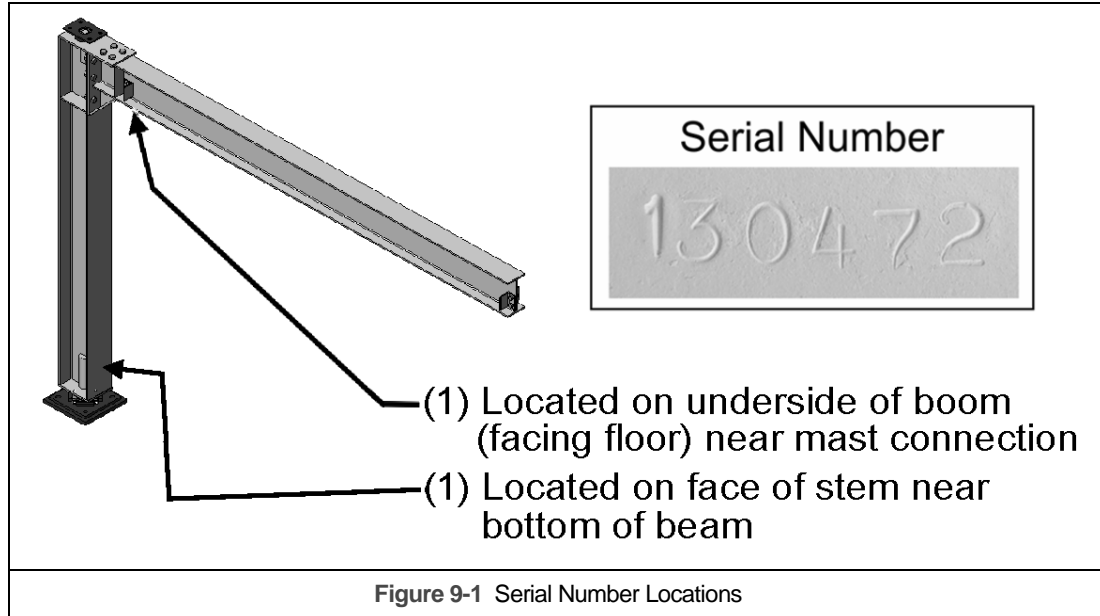
Should any defect in material or workmanship occur during the above time period in any product, as determined by Harrington Hoist’s inspection of the product, Harrington Hoists, Inc. agrees, at its discretion, either to replace (not including installation) or repair the part or product free of charge and deliver said item F.O.B. Harrington Hoists, Inc. place of business to customer.

Customer must obtain a Return Goods Authorization as directed by Harrington or Harrington’s published repair center prior to shipping product for warranty evaluation. An explanation of the complaint must accompany the product. Product must be returned freight prepaid. Upon repair, the product will be covered for the remainder of the original warranty period. Replacement parts installed after the original warranty period will only be eligible for replacement (not including installation) for a period of one year from the installation date. If it is determined there is no defect, or that the defect resulted from causes not within the scope of Harrington’s warranty, the customer will be responsible for the costs of returning the product.

Harrington Hoists, Inc. disclaims any and all other warranties of any kind expressed or implied as to the product’s merchantability or fitness for a particular application. Harrington will not be liable for death, injuries to persons or property or for incidental, contingent, special or consequential damages, loss or expense arising in connection with the use or inability whatever, regardless of whether damage, loss or expense results from any act or failure to act by Harrington, whether negligent or willful, or from any other reason.

## 9.0 Parts Information

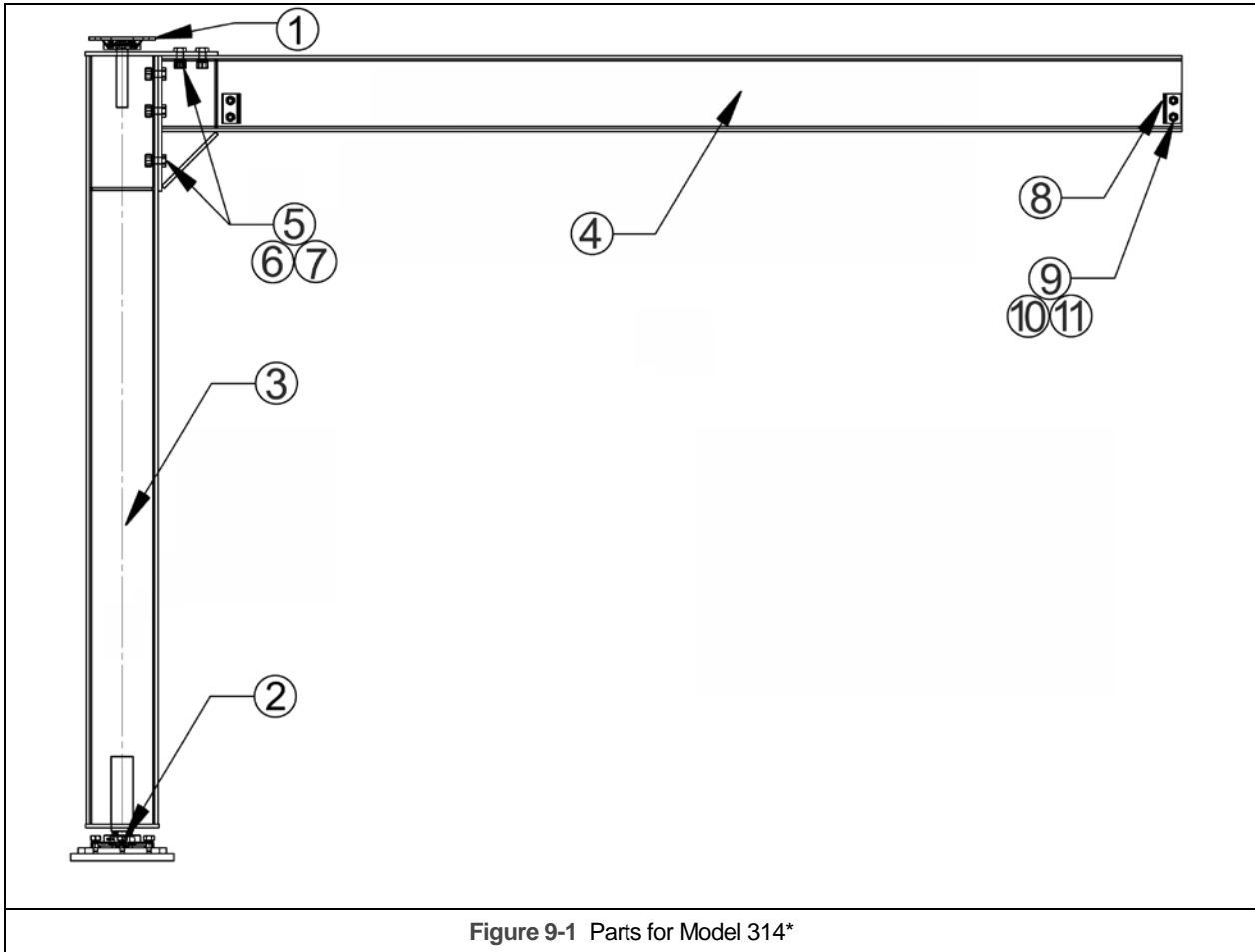
When ordering Parts, please provide the crane serial number which is stamped into each crane part (see **Figure 9-1**). The serial number is also located underneath the “Tiger Track” logo.



The parts list is arranged into the following sections:

Section	Page
9.1 Jib Crane Parts.....	22
9.2 Labels.....	24

## 9.1 Jib Crane Parts



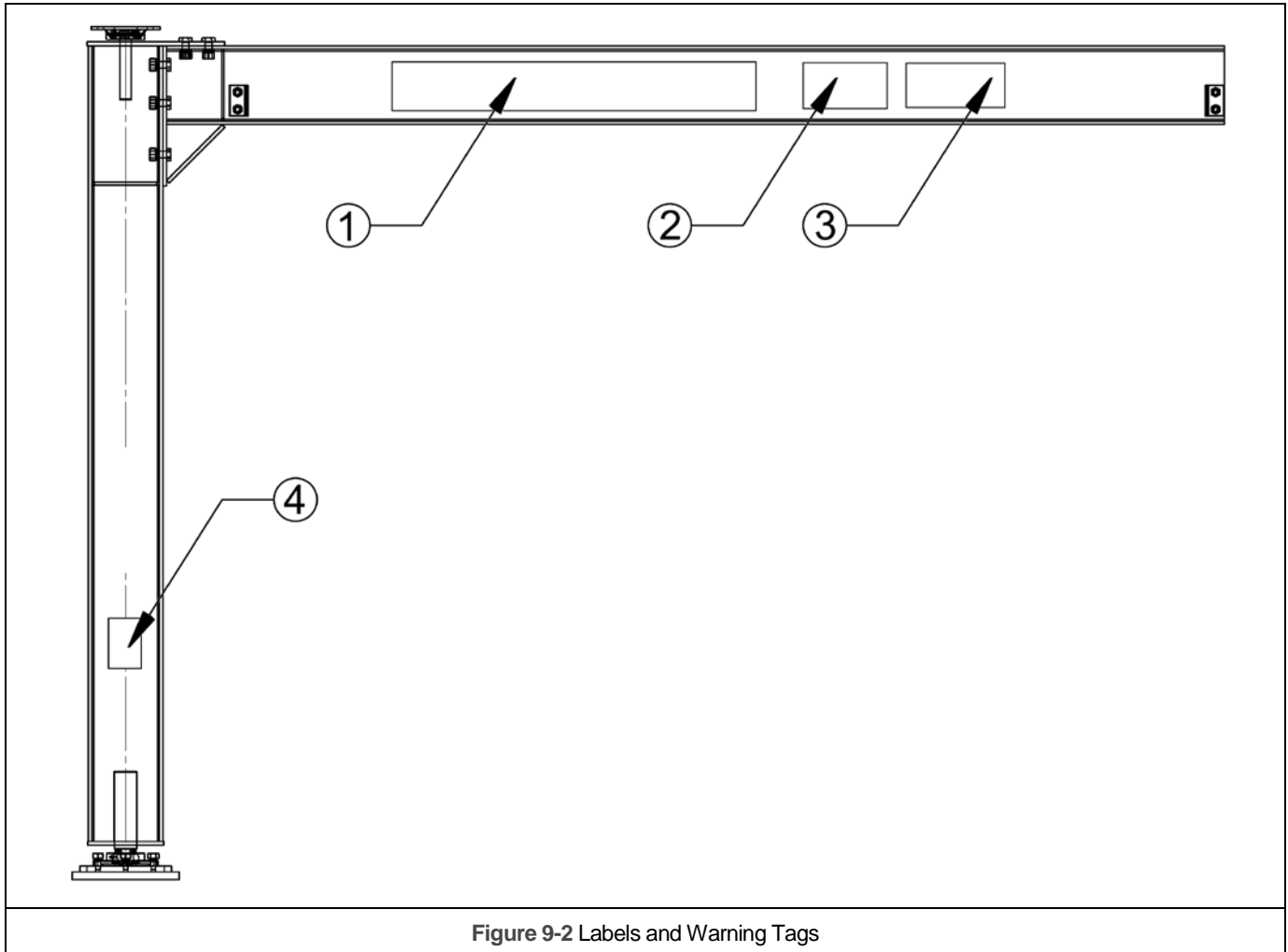
\*This figure is for reference only and your specific crane may be different

## 9.1 Jib Crane Parts

FIGURE NO.	DESCRIPTION*	QTY	½ TON		1 TON		2 TON	
			10-14' SPAN	15'-20' SPAN	10-14' SPAN	15'-20' SPAN	10-14' SPAN	15'-20' SPAN
1	Top Fitting	1	TT0601401A					TT0601411A
2	Bottom Fitting	1	TT0601403A	TT0601405A	TT0601407A	TT0601409A		TT0601413A
3	Mast	1	SEE BILL OF MATERIALS ON JIB CRANE DRAWING					
4	Boom	1						
5	Bolt	-						
6	Lock Washer	-						
7	Nut	-						
8	Trolley Stop	4						
9	Bolt	8						
10	Lock Washer	8						
11	Nut	8						

\*Note: Mounting hardware is supplied by others

## 9.2 Labels





9.2 Labels

Figure No.	Description	Qty	BOOM HEIGHT   (INCHES)			
			8	10	12	15
1	Logo	2	8047301		8047302	
2	Capacity Number, 1	-	8047306			
	Capacity Number, 2		8047307			
	Capacity Number, 3		8047308			
	Capacity Number, 4		8047309			
	Capacity Number, 5		8047310			
	Capacity Number, 6		8047311			
	Capacity Number, 7		8047312			
	Capacity Number, 8		8047313			
	Capacity Number, 9		8047314			
	Capacity Number, 0		8047315			
	Capacity Slash		8047316			
3	Capacity Unit, TON	2	8047303			
	Capacity Unit, LBS		8047304			
	Capacity Unit, KG		8047305			
4	Danger label	2	80472			

**This Page Intentionally Left Blank**

**This Page Intentionally Left Blank**



Harrington Hoists, Inc.  
401 West End Avenue  
Manheim, PA 17545

[www.harringtonhoists.com](http://www.harringtonhoists.com)

Toll Free: 800-233-3010  
Phone: 717-665-2000  
Fax: 717-665-2861

**TT3140M-ENG**